

## Pinhole camera

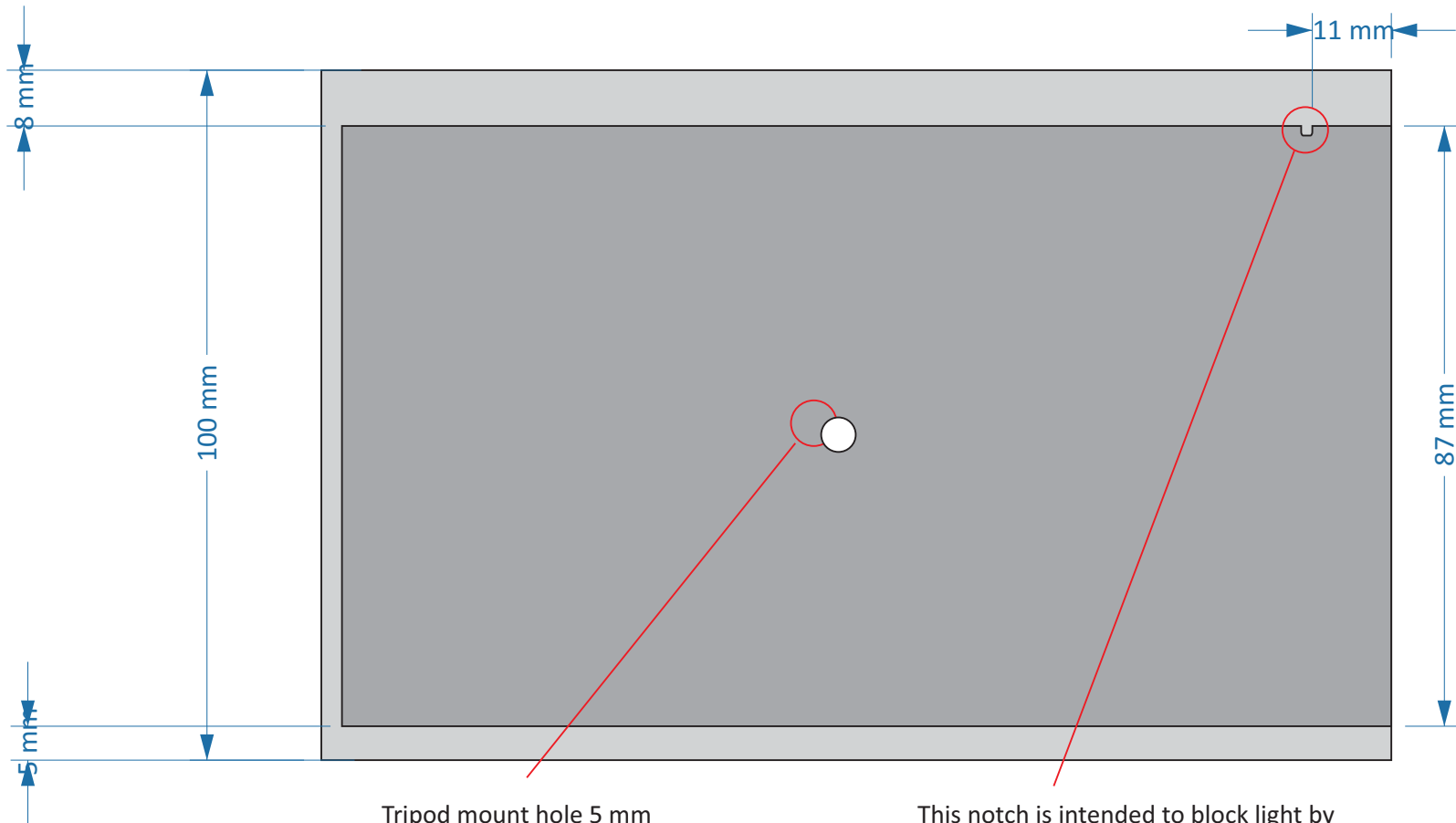
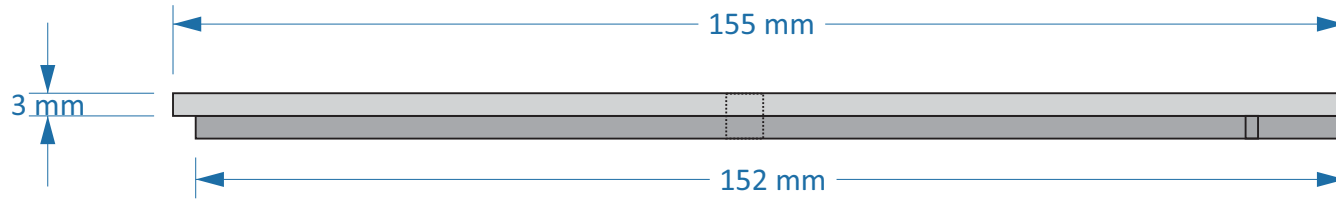
For use with 4 x 5 plane film holder

On the following pages is a blueprint for building your Pinhole Camera. It works best if you make it from a harder type of wood, such as oak, walnut, beech or ash. It is designed around 4 x 5 film holder, which is held in position by rubber bands.

For proper operation, you also need to install a plug with a very small hole in the central hole, the manufacture of which is not described in detail in this plan.

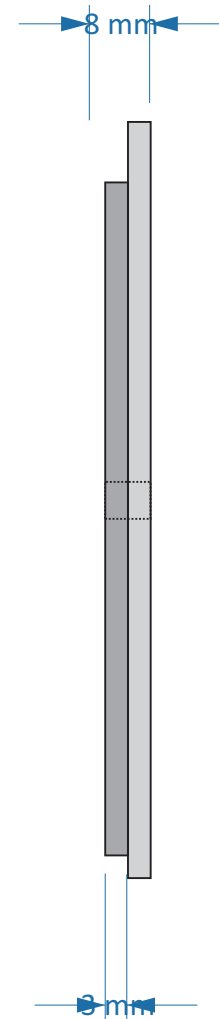
The 4 x 5 plan film cassette is most easily available through online providers such as Ebay. My preferred one is Fidelity Elite.

Top & Bottom (2x)

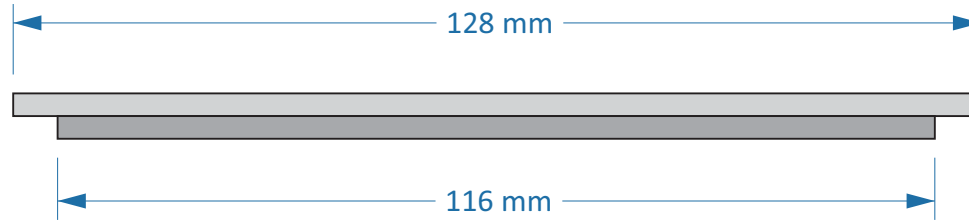


Tripod mount hole 5 mm  
You need to insert the lock  
nut and glue it.

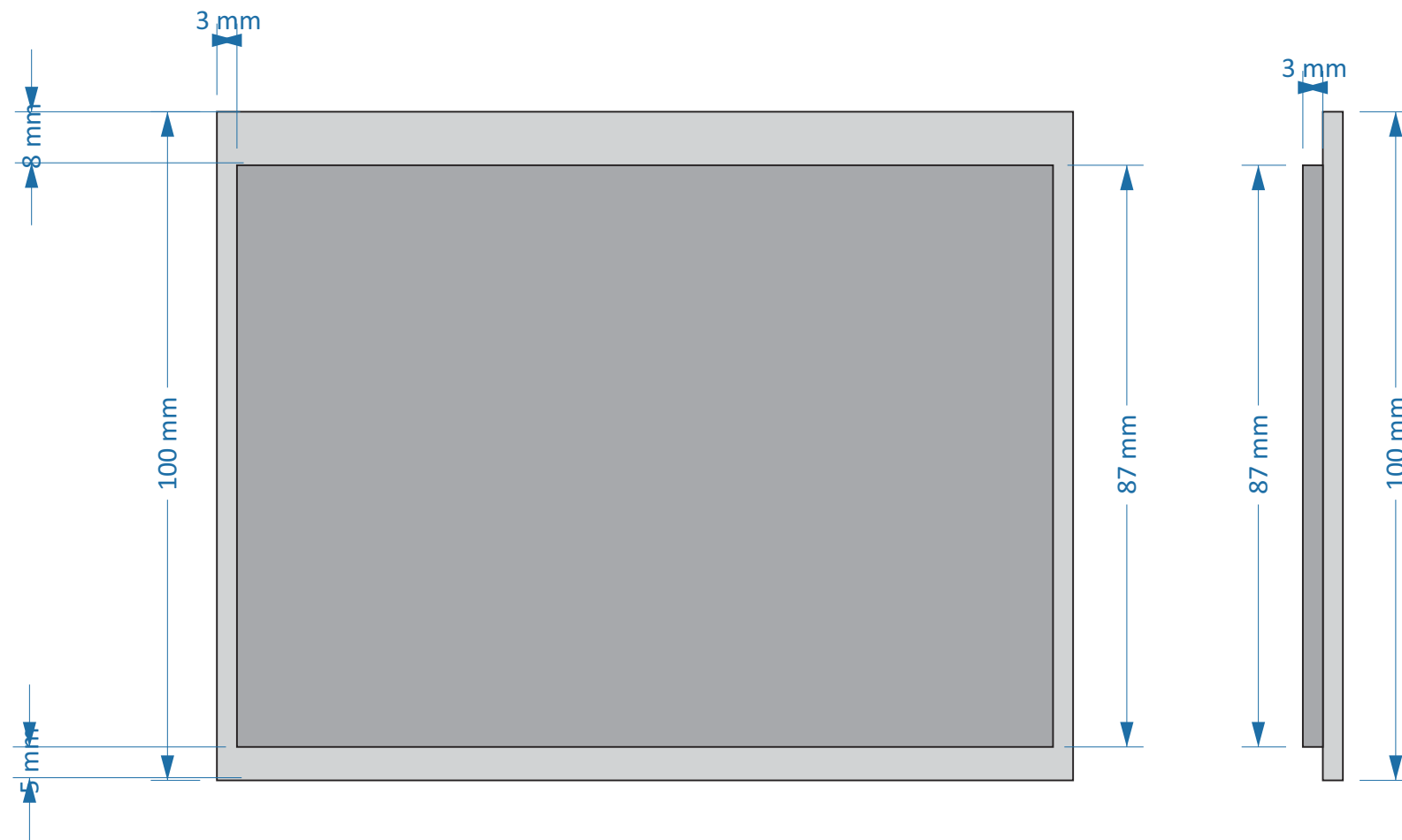
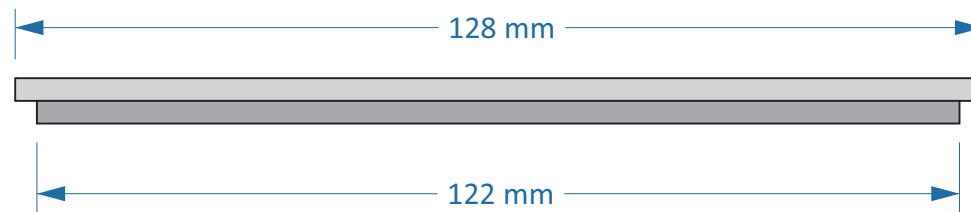
This notch is intended to block light by  
a protrusion on the 4 x 5 film holder  
(2 mm wide and 2 mm deep)



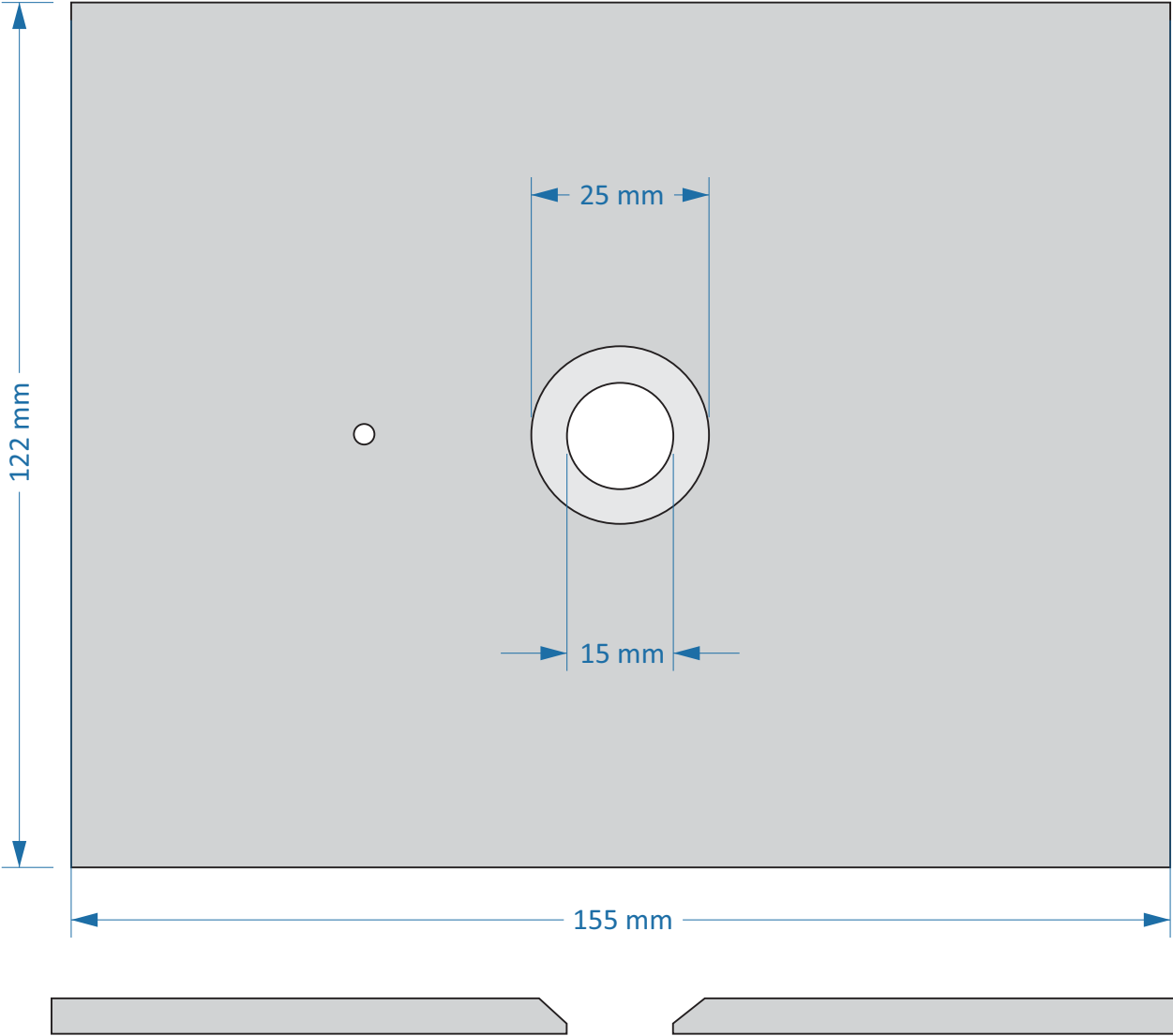
Left side



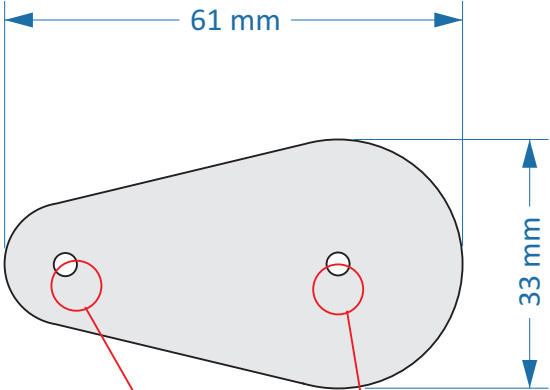
Right side



Front plate



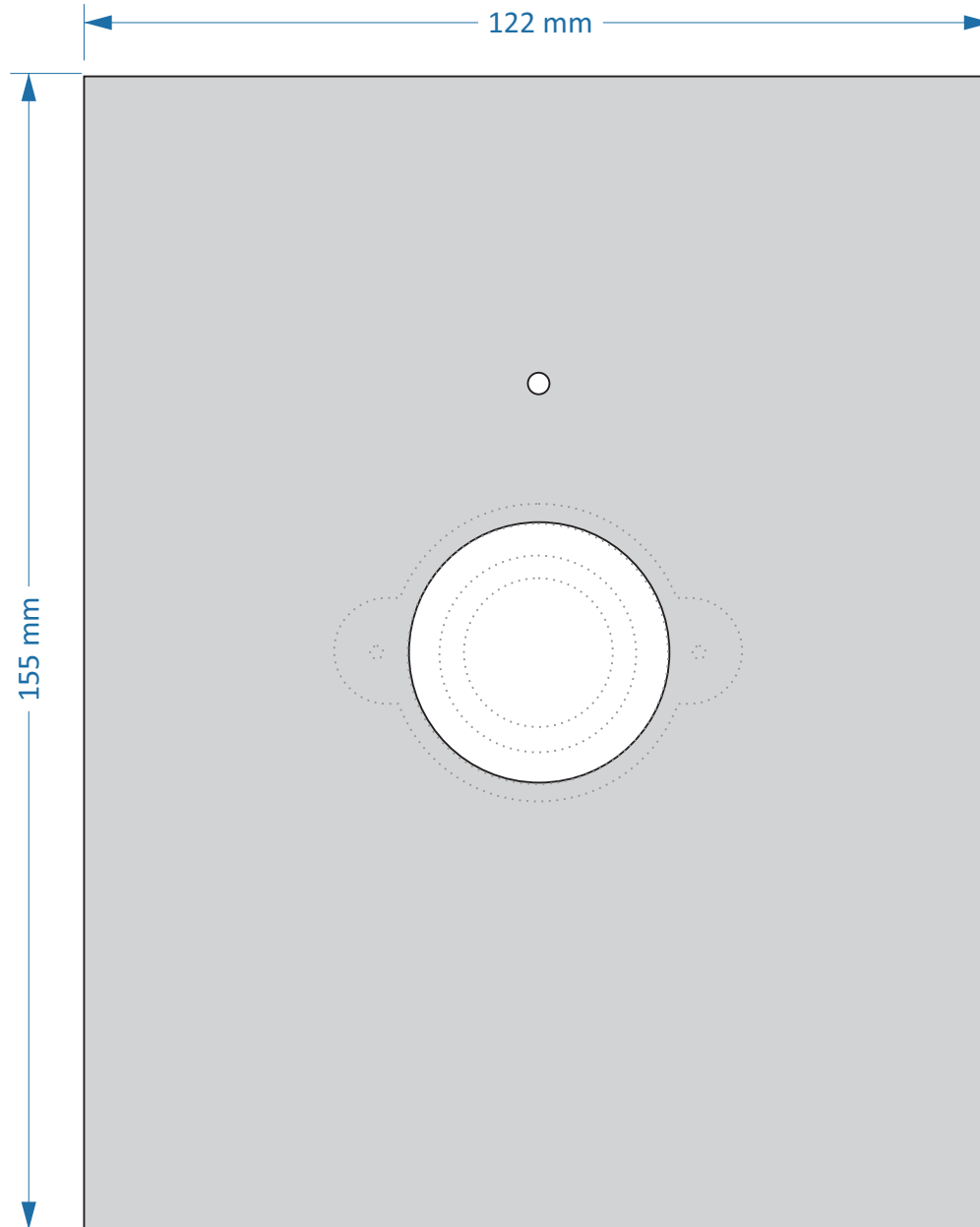
„Shutter“



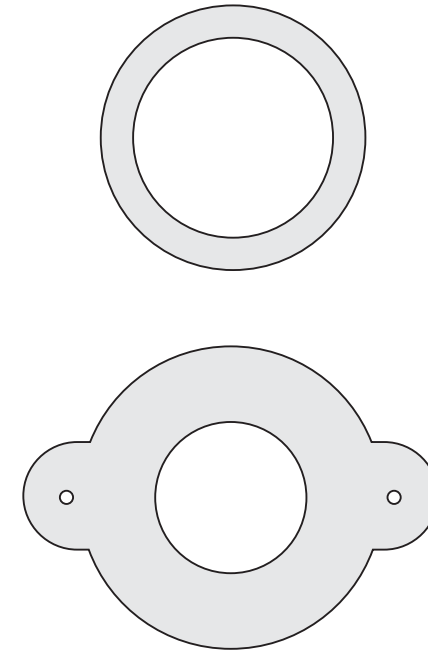
Hole for axis.  
3 mm screw and nut to fix it.

Hole to instal small  
knob to easier handle

5 mm



Alternative front plate with  
ring and more decorated hole frame  
(useful to changing small pinhole sections with another one)

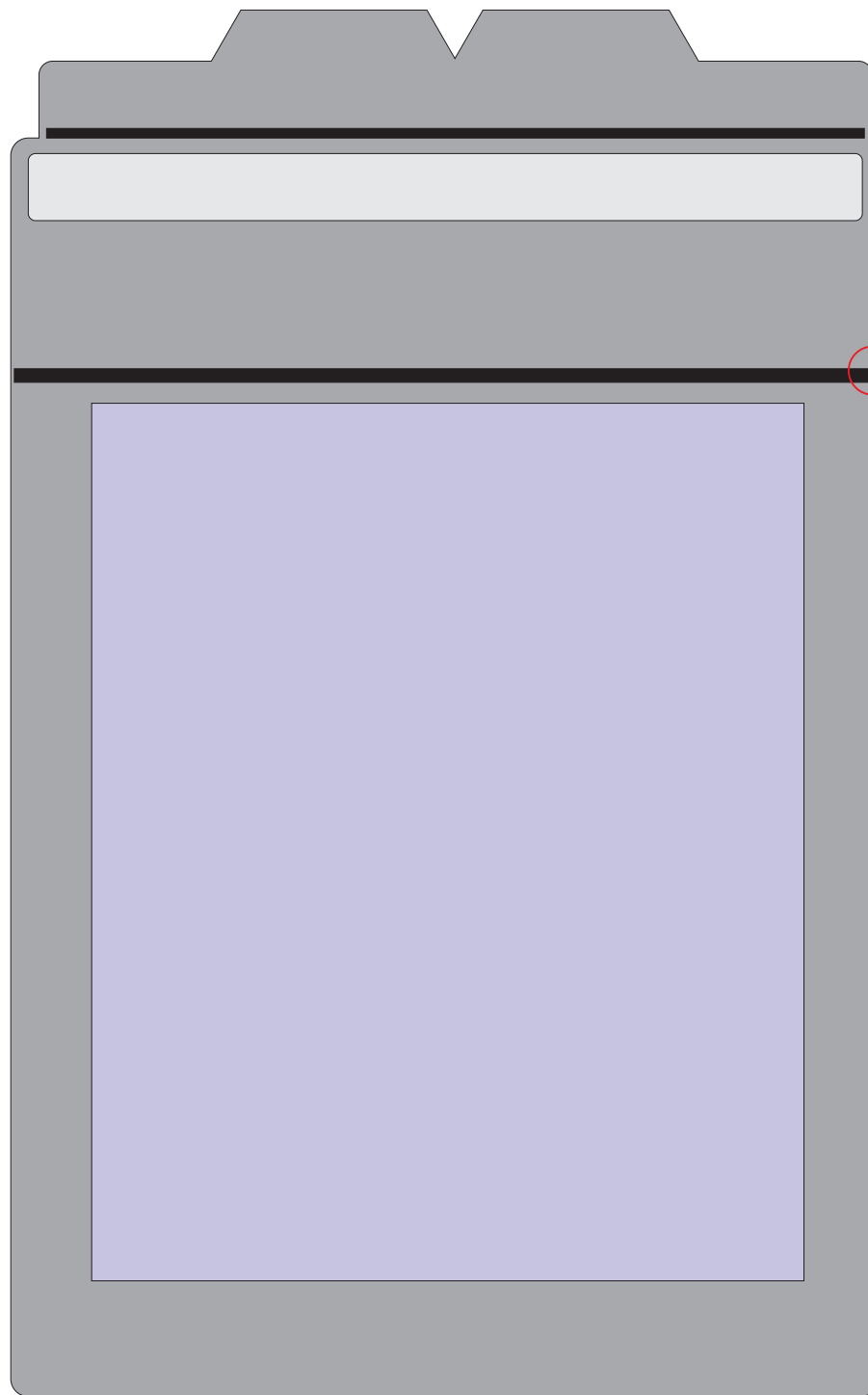


**ATTENTION!**

It is necessary to install pinholes in the large central hole. Diameter of hole should be 0,3 - 0,5 mm.

**How to make one:**

Easiest way is to flatten beverage can and make small hole with needle. All protrusions and unevenness created by punching small hole, must be sanded with fine sandpaper. Check diameter and roundness by loupe. More circular and even - better. Then stick the foil on the inside of the plate.



### Schematic illustration of 4 x 5 film holder

Film holder must set well on camera box and be secured in place with rubber bands. Be careful to check if any light leaking is present.

Protrusion on the 4 x 5 film holder to match the notch on camera body

